

POWER SYSTEM

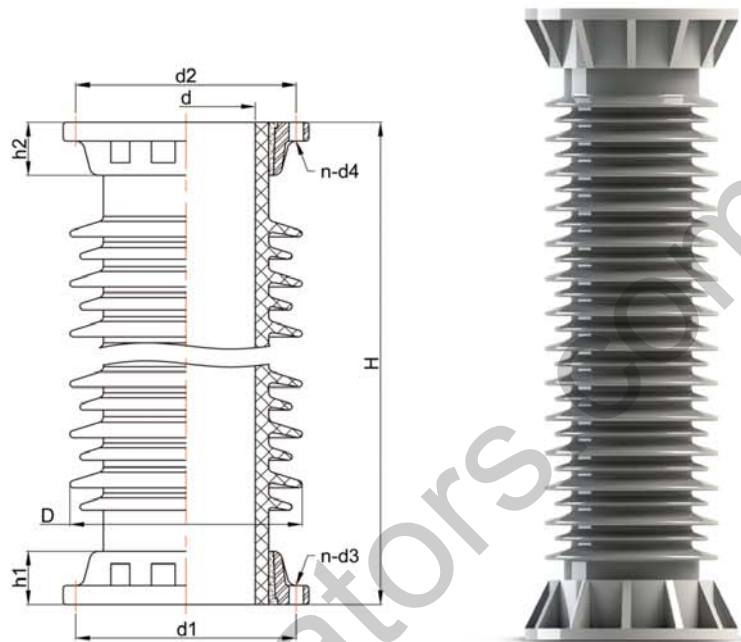


FIG 9.1.1

9.1 Hollow insulators for SF6 breakers

Rated voltage		kV	40.5	40.5	40.5	40.5	40.5
Figure No.			9.1.1				
Shed No.			5/4	5/4	5/5	6/6	5/4
Creepage distance		mm	1050	1050	1260	1260	1256
Main dimensions	H	mm	500	460	520	620	500
	D	mm	255	255	275	320	280
	h1	mm	60	80	70	80	60
	h2	mm	45	65	70	80	45
	d	mm	95	95	95	170	95
	d1	mm	220	220	210	268	220
	d2	mm	198	198	268	268	198
	n-d3	mm	8-φ14	8-φ14	8-M12	8-M12	8-φ14
n-d4	mm	8-M12	8-M12	8-φ14	8-M12	8-M12	
Inner hydro test	Routine water pressure test	Mpa	2.0	2.0	2.0	2.0	2.0
	Withstand time	min	3	3	3	3	3
	Failing load of water pressure	Mpa	3.5	3.5	3.5	3.5	3.5
Cantilever failing load		kN.m	8.5	8.0	10.0	16.0	8.5
Applicable standard			IEC62155				



Hollow insulators

9.1 Hollow insulators for SF6 breakers

▪ FIG 9.1.2

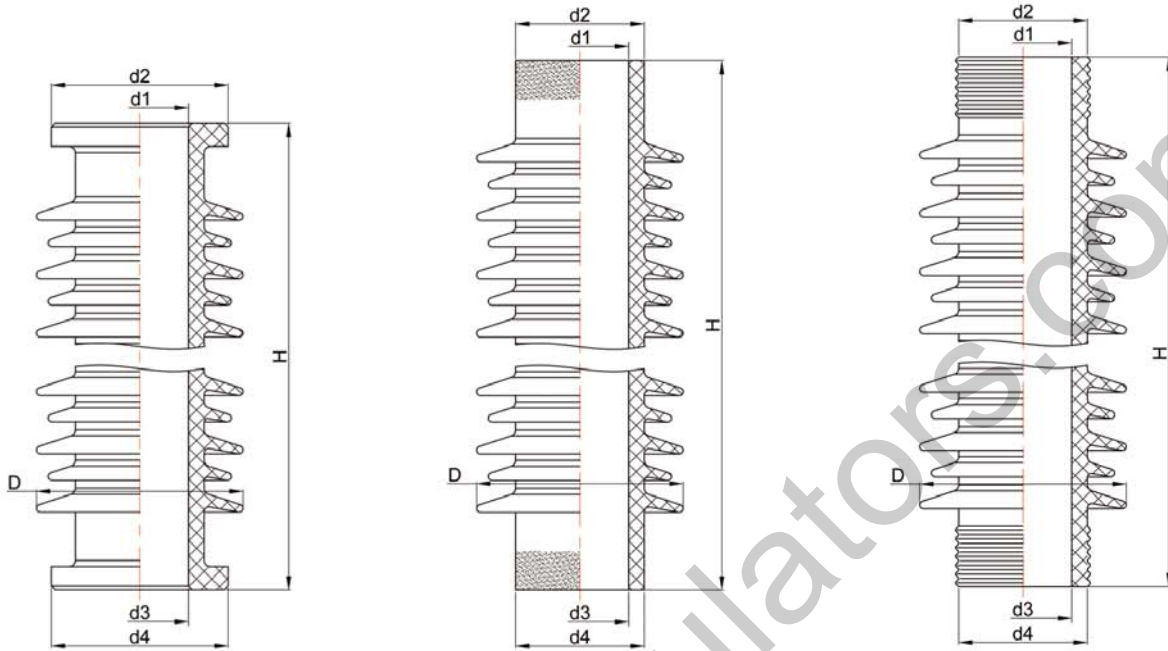
40.5	126	126	126	126	126	252	252	252	330	330
9.1.1										9.1.2
6/6	11/11	12/12	12/12	12/12	15/14	21/20	38/37	22/21	40/39	86/46
1300	3150	3906	3930	3150	3906	6300	7812	6800	11000	10325
600	1200	1380	1350	1350	1440	2336	2550	2330	3100	3720
255	420	430	395	385	365	580	520	490	420	-
80	100	100	100	100	100	150	140	125	257	-
65	100	100	100	100	100	150	140	125	257	-
95	240	240	185	185	185	370	290	290	290	-
220	385	385	335	335	335	560	460	470	470	120
198	385	385	335	335	335	560	460	470	470	320
8-φ14	16-φ18	16-φ18	12-φ18	12-φ18	16-φ18	16-φ18	18-φ18	16-φ18	18-φ18	-
8-M12	16-φ18	16-φ18	12-φ18	12-φ18	16-φ18	16-φ18	18-φ18	16-φ18	18-φ18	-
2.0	1.6	1.6	1.8	1.6	1.6	1.6	2.0	1.3	1.6	2.0
3	5	5	5	5	5	5	5	5	5	5
3.5	2.6	2.6	2.6	2.6	2.6	2.6	3.6	2.6	2.6	2.8
10.0	15.6	16.0	12.0	16.0	16.0	16.0	25.0	49.0	25.0	37.2
IEC62155										

POWER SYSTEM



9.2 Hollow insulators for Transformer bushings

Rated voltage			kV	550	252	252	252	330
Figure No.				9.2.1				
Shed No. big/small				61/60	26/25	28/27	21/20	33/32
Creepage distance			mm	15530	6700	7950	6300	9763
Main dimensions	H	mm	4250	2200	2200	2435	2530	
	D	mm	552	410	430	755	390	
	d1	mm	332	220	220	525	200	
	d2	mm	420	355	355	665	-	
	d3	mm	332	220	220	525	200	
d4	mm	420	355	355	665	-		
Applicable Standard				IEC62155				



▪ FIG 9.2.1

▪ FIG 9.2.2

▪ FIG 9.2.3

9.2 Hollow insulators for Transformer bushings



220	126	66	132	132	132	132	126	126	66
9.2.2				9.2.3					
27/26	15/14	8/7	13/13	13/12	13/12	13/13	14/13	14/13	8/8
7788	4050	2250	3360	3270	3848	3978	3245	3906	2250
2130	1150	660	1180	1280	1280	1180	1330	1340	858
385	310	820	406	400	430	430	305	360	310
200	175	130	220	220	220	220	135	135	110
-	225	170	270	280	280	270	175	175	160
200	175	130	220	220	220	220	135	135	110
-	225	170	280	283	283	280	188	213	163
IEC62155									

POWER SYSTEM



FIG 9.3.1

9.3 Hollow insulators for capacitance transformers

Rated voltage		kV	330	500	550	750
Figure No.			9.3.1			
Shed No. big/small			43/42	64/63	57/56	96/95
Cantilever failing load		kN.m	58	65	107	127.2
Creepage distance		mm	13800	20460	18755	29760
Main dimensions	H	mm	3869± 4	5115± 6	5110± 6	8100± 20
	d1	mm	195± 5	270± 3	195± 5	230± 6
	d2	mm	305± 4	405± 3	340± 5	510± 10/-15
Routine cantilever failing load		kN.m	40.6	45.5	66.4	89.1
Routine power frequency withstand voltage		kV	50.5	50.5	50.5	60
Routine withstand load of inner pressure		Mpa	0.8	1	0.8	0.8
Failing load of inner pressure		Mpa	1.6	2	1.6	2.4
Applicable Standard			IEC62155			